

# Test Report

for 1.0~2.0GHz Broadband Spiral Antenna



Model: HXATBDBS1020

**Chengdu HAIKIN MICROWAVE Technology Co., Ltd**

Add: Chengdu 610091, China

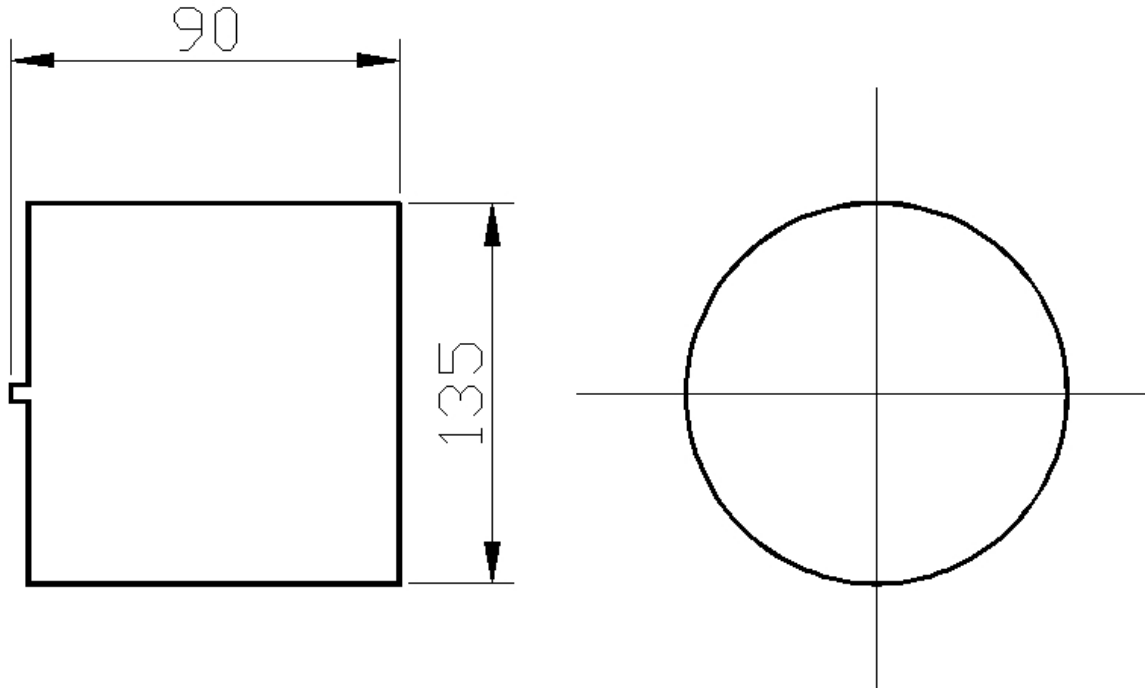
Tel: +86-28-87089208

Website: [www.hxmicrowave.com](http://www.hxmicrowave.com)

Fax: +86-28-87089208

Email: [sale@hxmicrowave.com](mailto:sale@hxmicrowave.com)

### Outline Drawing (Size: mm)



### Technical Specification

Frequency Rang	VSWR	Gain	Connector	Axial Ration	Beam width	Size
1.0~2GHz	2:1	$\geq -3\text{dBic}$	SMA-Female	$\leq 3\text{dB}$	55~120	$\Phi 135\text{mm}$ $\times 90\text{mm}$

### Test Instruments

Agilent 83630B  
HP8563E  
HP8720D

# Test Results



## 1. Gain

Frequency (GHz)	1.0	1.2	1.4	1.6	2.0
Gain (dBic)	-5	-4	-3	-3	-1

## 2. Axial Ration

Frequency (GHz)	1.0	1.2	1.4	1.6	2.0
Axial Ration (dB)	0.5	0.7	1.2	0.5	1.5

## 3. Pattern

E Plane- - - -

H Plane- - - - -

